
strongbox[®]



38/50 SERIES

143393 v1.0

DEGELMAN INDUSTRIES LP

BOX 830-272 INDUSTRIAL DRIVE,
REGINA, SK, CANADA, S4P 3B1
FAX 306.543.2140 PH 306.543.4447
1.800.667.3545 DEGELMAN.COM

STRONGBOX[®]
38 & 50 SERIES

strongbox[®] 38/50 SERIES

QUICK GUIDE INDEX

<i>Introduction</i>	1
<i>Safety</i>	2
<i>Maintenance</i>	4
<i>Transport & Storage</i>	5
<u>38 Series</u>	
<i>Model Overview & Components</i>	6
<i>Mounting Options Overview</i>	7
<i>Mount Components</i>	8
<u>50 Series</u>	
<i>Model Overview & Components</i>	10
<i>Mounting Options Overview</i>	11
<i>Mount Components</i>	12
<i>Warranty</i>	14

Record Serial Number:

.....

Introduction

WELCOME



Degelman is proud to welcome you to our rapidly increasing family of high quality and dependable product owners. This product was designed and built specifically for you, the customer. Through our research and with your input and feedback, we present to you our 38 and 50 Series Strongbox®.

Designed with durability, safety, and performance in mind, this Strongbox® is ready for years of quality service. In order to help you keep your Strongbox® in top operating condition we have provided you with this manual.

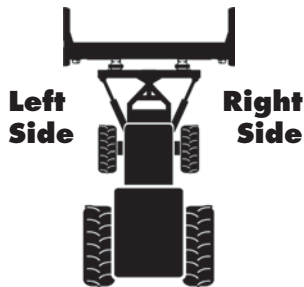
ABOUT THIS MANUAL

This manual has been designed to help assist you with an overview of parts, components, and mounting options for your Degelman Strongbox®.

Your authorized Degelman dealer can be contacted for ordering any replacement parts, decals, or manuals. Since many of our parts are specially designed specifically for this Strongbox® box blade we strongly recommend you always replace them with genuine Degelman parts only.

This manual and its contents were current at the time of its first printing. To increase product performance and operation, some part modifications and changes may occur that are not reflected in this manual.

Note: The description "Right" or "Left" as used in this manual is determined by the direction the tractor will travel while in use (unless otherwise stated).



DESCRIPTION

strongbox® 38/50 SERIES

The Strongbox® box blade is a simple, strong and effective tool for high volume snow removal.

The Strongbox® features a durable rubber cutting edge, which gives it the flexibility to clear snow, slush, ice and water.

Extra-large side plates reinforced with a unique cone gusset, these side plates are designed to endure the wear and tear of snow removal.

Strongbox® is adaptable with optional mounting systems to fit payloaders, backhoes, skid steers and most Ag tractors.

PROOF OF OWNERSHIP

Serial Number Plate



Your serial number is found on the serial number plate.

It is important to record the serial & model number of your Strongbox® for proof of ownership and for any required service or maintenance assistance.

Serial Number _____

Owner Name _____

Model _____

Purchase Date _____

Dealer Name _____

Address _____

Phone _____

Why is SAFETY important to YOU?

3 BIG Reasons:

- Accidents Can Disable and Kill
- Accidents Are Costly
- Accidents Can Be Avoided

SAFETY ALERT SYMBOL



The **Safety Alert Symbol** means:

**ATTENTION!
BECOME ALERT!
YOUR SAFETY IS INVOLVED!**

The **Safety Alert Symbol** identifies important safety messages. When you see this symbol, be alert to the possibility of **injury or death**. Follow the instructions provided on the safety messages.

SIGNAL WORDS

Note the use of the Signal Words: **DANGER**, **WARNING**, and **CAUTION** with the safety messages. The appropriate Signal Word has been selected using the following guidelines:

DANGER: Indicates an imminently hazardous situation that, if not avoided, **WILL** result in death or serious injury if proper precautions are not taken.

WARNING: Indicates a potentially hazardous situation that, if not avoided, **COULD** result in death or serious injury if proper precautions are not taken.

CAUTION: Indicates a potentially hazardous situation that, if not avoided, **MAY** result in minor or moderate injury if proper practices are not taken, or, serves as a reminder to follow appropriate safety practices.

YOU are RESPONSIBLE

... for your own safety and that of others!

- If you are not familiar with basic agriculture & industrial safety, you must get training.
- Owners of equipment must give operating instructions to other operators such as family members or a hired hand.
- Making any design changes to equipment could cause a hazard, damage your machine & void your warranty.

YOU are responsible for the SAFE operation and maintenance of your Degelman implement. YOU must ensure that you and anyone else who is going to operate, maintain, or work around the machine be familiar with the operating and maintenance procedures, and related SAFETY information contained in this manual. This manual will take you step-by-step through your working day and will alert you to good safety practices that should be adhered to while operating this equipment.

Remember, YOU are the key to safety. Good safety practices not only protect you, but also the people around you. Make these practices a working part of your safety program. Be certain that EVERYONE operating this equipment is familiar with the recommended operating and maintenance procedures and follows all the safety precautions. Most accidents can be prevented. Do not risk injury or death by ignoring good safety practices.

- Owners must give operating instructions to operators or employees before allowing them to operate the unit, and at least annually thereafter per OSHA regulation 1928.57.
- The most important safety device on this equipment is a SAFE operator. It is the operator's responsibility to read and understand ALL Safety and Operating instructions in the manual and to follow these. All accidents can be avoided!
- A person who has not read and understood ALL operating and safety instructions is not qualified to operate the machine. An untrained operator exposes himself and bystanders to possible serious injury or death.
- Do not modify the equipment in any way. Unauthorized modification may impair the function and/or safety and could affect the life of the equipment.

Safety

GENERAL SAFETY

1. Read and understand the Operator's Manual and all safety signs before using. Review safety related items with all operators annually.
2. Lower blade to ground, stop tractor engine, place all controls in neutral, set park brake and remove ignition key before servicing, adjusting or repairing.
3. Keep hands, feet, hair and clothing away from all moving and/or rotating parts.
4. DO NOT allow riders on the machine or tractor during operation or transporting.
5. Clear the area of all bystanders, especially children, before starting.
6. DO NOT operate machine on steep side hills or slopes.
7. Be careful when working around or maintaining a high-pressure hydraulic system. Ensure all components are tight and in good repair before starting.
8. Clean all reflectors, lights and the SMV sign before transporting on a highway or public road. Be sure to check with local highway authorities and comply with their lighting requirements.
9. Stay well back from machine when operating. Keep others away.
10. DO NOT operate the Strongbox without an adequate amount of rear wheel ballast.

Prepare for Emergencies

- Keep a first aid kit and fire extinguisher handy.
- Keep emergency numbers

for doctor, hospital, ambulance, and fire department near your phone.



Doctor _____

Ambulance _____

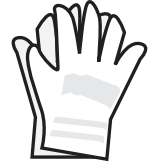
Hospital _____

Fire Department _____

Wear Protective Equipment

Note: Before working on machine, always turn tractor off, set controls in neutral, and remove ignition key.

- Wear proper safety equipment such as safety glasses and shoes, hearing protection, hard hats, or any other appropriate items to prevent injury.



- Loss of hearing or hearing impairment may result from prolonged exposure to loud noise. Wear suitable hearing protective devices such as earmuffs or earplugs to protect your hearing.
- Safely operating this equipment requires the full attention of the operator. Do not wear radio or music headphones, or talk on your phone while operating this machine. Never operate while under the influence of alcohol or drugs or allow anyone under the influence to operate the tractor.

⚠️ HYDRAULIC

- Keep all parts clean.
- Replace worn or damaged parts.
- Don't try any makeshift repairs.
- Before operating check that everything is tight and not broken.
- Wear gloves and eye protection when searching for leaks. Use a piece of wood or cardboard but not your hand. High pressure oil will penetrate your skin. If that happens you risk serious injury.

⚠️ BLADE

- Lower blade to the ground when not in use.
- Keep clear of blade when tractor is running.
- Keep hands & feet away from under blade.
- Turn engine off when hooking up hydraulics and during mounting or dismounting.

⚠️ TRANSPORTING

- Lift blade up then hold with safety chain.
- Make sure SMV sign & reflectors are clean.
- Use your hazard lights.

Maintenance

MAINTENANCE SAFETY

1. Review the all safety items before working with, maintaining or operating the machine.
2. Lower machine to ground, stop the tractor engine, place all controls in neutral, set park brake and remove ignition key before servicing, adjusting or repairing.
3. Clear the area of bystanders, especially children when carrying out any maintenance and repairs or making adjustments.
4. Place safety stands or large blocks under the frame before removing tires or working beneath the machine.
5. Be careful when working around or maintaining a high-pressure hydraulic system. Wear proper eye and hand protection when searching for a high pressure hydraulic leak. Use a piece of wood or cardboard as a backstop when searching for a pin hole leak in a hose or a fitting.
6. Always relieve pressure before disconnecting or working on hydraulic system.

CHECK HARDWARE TORQUE

Important: Check torque on all hardware periodically. Check after first 2, 10, 40, then every 200 hours.

TORQUE



all hardware

- Torque values listed are for general use only. If a different torque value or tightening procedure is specified for a specific application, do not use these values.
- Refer to the "Parts" section for proper grade and length of bolts for replacement parts.
- Do not replace locknuts with nuts and lock washers. Replace all parts with original, specified parts only.
- Dry values shown mean the bolt/nut is plain or zinc plated without any lubrication.

Unless otherwise stated:



Hardware - Hex, GR5 UNC (imperial) or P8.8 (metric)
Hoses - 3/8, ends come with 3/4 JIC female swivel.

HARDWARE TORQUE SETTINGS

The tables below give correct torque values for various bolts and capscrews. Tighten all bolts to values in charts unless otherwise noted. Check tightness of bolts periodically, using torque charts as a guide. Replace hardware with the same strength (Grade/Class) bolt.

IMPERIAL TORQUE SPECIFICATIONS

(based on "Zinc Plated" values)



SAE-5



SAE-8

Size	Grade 5	Grade 8
	lb.ft (N.m)	lb.ft (N.m)
1/4"	7 (10)	10 (14)
5/16"	15 (20)	20 (28)
3/8"	25 (35)	35 (50)
7/16"	40 (55)	60 (80)
1/2"	65 (90)	90 (120)
9/16"	90 (125)	130 (175)
5/8"	130 (175)	180 (245)
3/4"	230 (310)	320 (435)
7/8"	365 (495)	515 (700)
1"	550 (745)	770 (1050)
1-1/8"	675 (915)	1095 (1485)
1-1/4"	950 (1290)	1545 (2095)
1-3/8"	1250 (1695)	2025 (2745)
1-1/2"	1650 (2245)	2690 (3645)

METRIC TORQUE SPECIFICATIONS

(based on "Zinc Plated" values)



8.8



10.9

Size	Class 8.8	Class 10.9
	lb.ft (N.m)	lb.ft (N.m)
M6	7 (10)	10 (14)
M8	16 (22)	23 (31)
M10	30 (42)	45 (60)
M12	55 (75)	80 (108)
M14	90 (120)	125 (170)
M16	135 (185)	195 (265)
M18	190 (255)	270 (365)
M20	265 (360)	380 (515)
M22	365 (495)	520 (705)
M24	460 (625)	660 (895)
M27	675 (915)	970 (1315)
M30	915 (1240)	1310 (1780)
M33	1250 (1695)	1785 (2420)
M36	1600 (2175)	2290 (3110)

HYDRAULIC FITTING TORQUE

Size	lb.ft (N.m)
3/4	75 (100)
7/8	90 (122)

Transport & Storage

TRANSPORT SAFETY

- Read and understand ALL the information in the Operator's Manual regarding procedures and SAFETY when operating the machine in the field/yard or on the road.
- Check with local authorities regarding machine transport on public roads. Obey all applicable laws and regulations.
- Always travel at a safe speed. Use caution when making corners or meeting traffic.
- Make sure the SMV (Slow Moving Vehicle) emblem and all the lights and reflectors that are required by the local highway and transport authorities are in place, are clean and can be seen clearly by all overtaking and oncoming traffic.
- Keep to the right and yield the right-of-way to allow faster traffic to pass. Drive on the shoulder, if permitted by law.
- Always use hazard warning flashers on tractor when transporting, unless prohibited by law.

REPLACEMENT DECALS

Decals, especially safety and reflective, should be replaced when they become damaged or worn. Contact your dealer.

Information Decals

143159 Important, Keep Chain Parallel 2

Reflective Decals

142557 Amber Reflector, 2" x 9" lg 2
(located top front corners of blade)

142556 Red Reflector, 2" x 9" lg 2

142650 Fluorescent Reflector, 2" x 9" lg 2

Product Decals

142008 Degelman Logo, 25-3/4" lg 2

143198 Degelman Logo, 36" lg 2

143150 Strongbox® Decal 1

Model Numbers

143152 1038 Decal 1

143153 1238 Decal 1

143154 1438 Decal 1

143155 1638 Decal 1

143156 1650 Decal 1

143157 1850 Decal 1

143158 2050 Decal 1

TRANSPORTING

Follow this procedure when preparing to transport:

1. Clear the area of bystanders, especially small children, before converting into transport configuration.
2. Operate the lift hydraulics to raise the blade fully and install a certified safety chain to secure it.
3. Clean the SMV sign, lights and reflectors.
4. Maintain a safe speed. Slow down when cornering and on rough roads.
5. Slow down and pull off to the side of the road when meeting other traffic.
6. Use hazard flashers on tractor unless prohibited by law.

STORAGE SAFETY

- Store unit in an area away from human activity.
- Do not permit children to play near the stored unit.

STORAGE

After the season's use, completely inspect all major systems of the machine. Repair or replace any worn or damaged components to prevent unnecessary down time at the beginning of next season.

Since the unit can be used in extremely adverse conditions during the season, the machine should be carefully prepared for storage to ensure that all dirt, mud, debris and moisture has been removed.

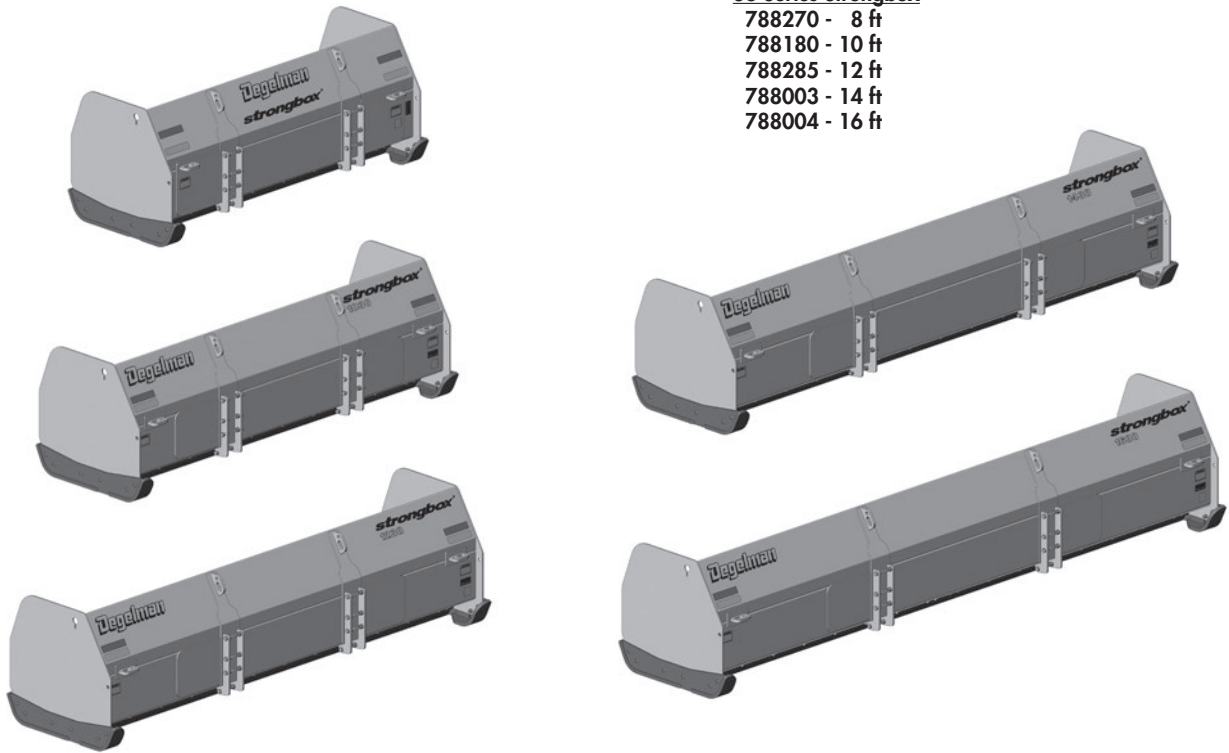
Follow this procedure when preparing to store:

1. Wash the entire machine thoroughly using a water hose or pressure washer to remove all dirt, mud, debris or residue.
2. Inspect all parts to see if anything has become entangled in them. Remove the entangled material.
3. Lubricate all grease fittings to remove any moisture.
4. Inspect all hydraulic hoses, fittings, lines and couplers. Tighten any loose fittings. Replace any hose that is badly cut, nicked or abraded or is separating from the crimped end of the fitting.
5. Touch up all paint nicks and scratches to prevent rusting.
6. Oil the exposed rams on the hydraulic cylinder to prevent rusting.
7. Select an area that is dry, level and free of debris.

838/1038/1238 & 1438/1638

38 Series Strongbox

- 788270 - 8 ft
- 788180 - 10 ft
- 788285 - 12 ft
- 788003 - 14 ft
- 788004 - 16 ft



38 SERIES BLADE COMPONENTS

Urethane Cutting Edge (option)

- 788275 - 8 ft
- 788277 - 10 ft
- 788278 - 12 ft
- 788279 - 14 ft
- 788275 (2) - 16 ft

Steel Cutting Edge (option)

- 116113 - 8 ft
- N/A - 10 ft
- 116111 (2) - 12 ft
- 116112 (2) - 14 ft
- 116113 (2) - 16 ft

Rubber Cutting Edge

- 788119 - 8 ft
- 788121 - 10 ft (shown)
- 788122 - 12 ft
- 788123 - 14 ft
- 788119 (2) - 16 ft

Bolt Plate for Cutting Edge

- 788124 (1) - 8 ft
- 788126 (1) - 10 ft (shown)
- 788127 (1) - 12 ft
- 788128 (2) - 14 ft
- 788124 (2) - 16 ft

SB38 Blade Assembly

- 788271 - 8 ft
- 788181 - 10 ft (shown)
- 788286 - 12 ft
- 788050 - 14 ft
- 788060 - 16 ft

788135 - Loader Binder Kit (Optional)

- comes with...
- 788138 - Load Binder Ratchet (1)
 - 788137 - Grab Hook (4)
 - 788136 - Chain, 60" (2)

- 118034 - Bolt, 5/8 x 3-1/2
- 8ft (10) 10ft (12) 12ft (14)
- 14ft (16) 16ft (18)

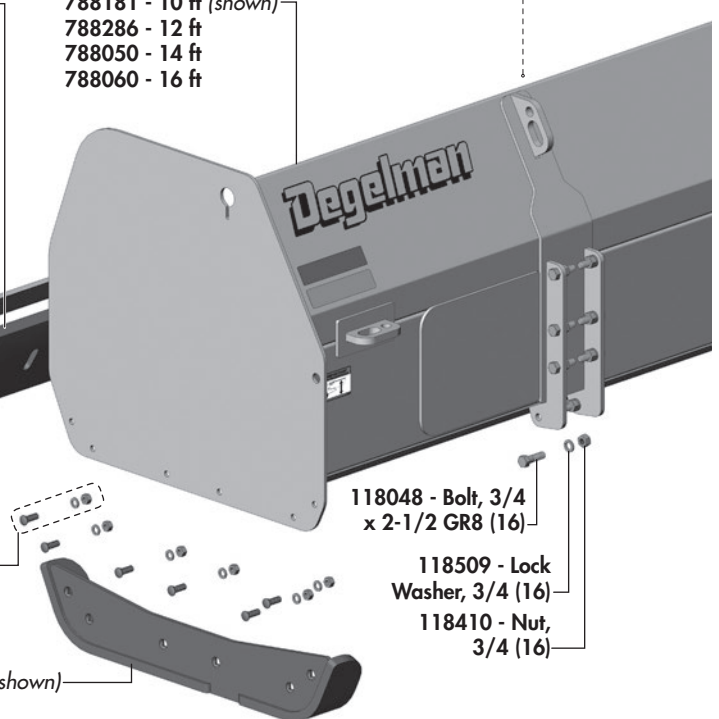
- 118447 - Lock Nut, 5/8 GRC Unitorque
- 8ft (10) 10ft (12) 12ft (14)
- 14ft (16) 16ft (18)

- 118203 - Scraper Bolt, 5/8 x 2 (12)
- 118508 - Lock Washer, 5/8 (12)
- 118407 - Nut, 5/8 (12)

- 788177 - Wear Shoe, LH 38 SRS (1) (shown)
- 788176 - Wear Shoe, RH 38 SRS (1)

- 118048 - Bolt, 3/4 x 2-1/2 GR8 (16)

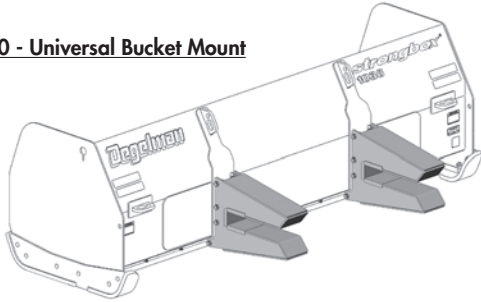
- 118509 - Lock Washer, 3/4 (16)
- 118410 - Nut, 3/4 (16)



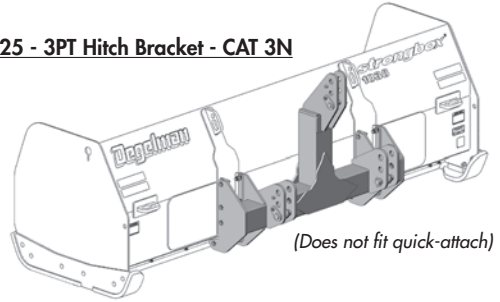
38 Series Mounting Options Overview

STRONGBOX® 838, 1038 & 1238 MOUNTING OPTIONS

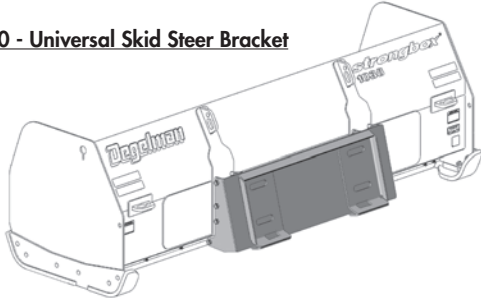
788110 - Universal Bucket Mount



788425 - 3PT Hitch Bracket - CAT 3N

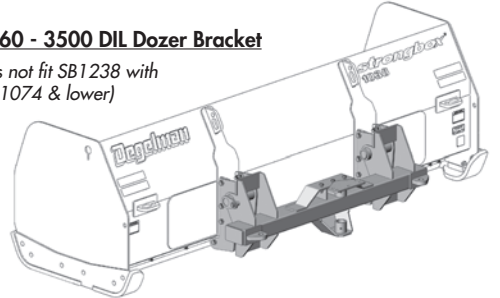


788280 - Universal Skid Steer Bracket



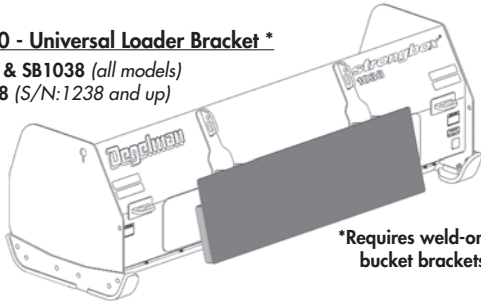
788260 - 3500 DIL Dozer Bracket

(Does not fit SB1238 with S/N:1074 & lower)



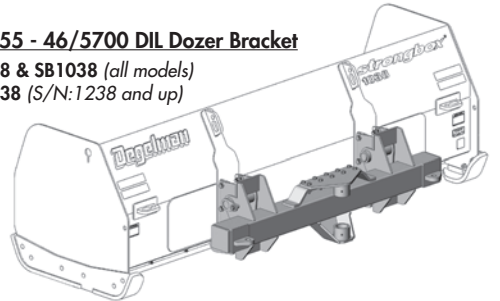
788320 - Universal Loader Bracket *

SB838 & SB1038 (all models)
SB1238 (S/N:1238 and up)



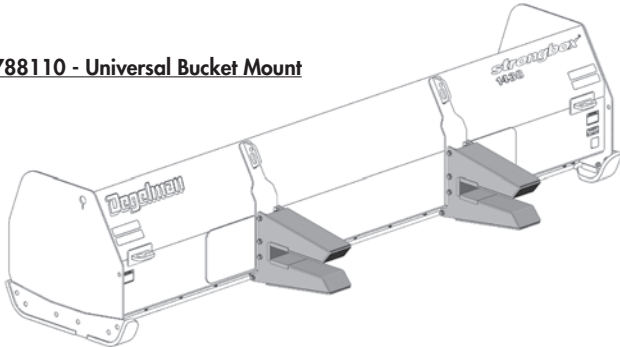
788255 - 46/5700 DIL Dozer Bracket

SB838 & SB1038 (all models)
SB1238 (S/N:1238 and up)

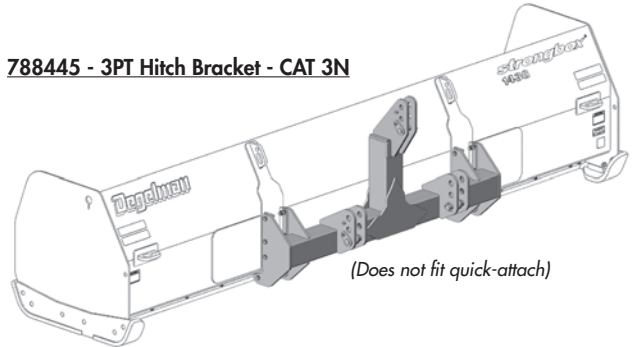


STRONGBOX® 1438 & 1638 MOUNTING OPTIONS

788110 - Universal Bucket Mount

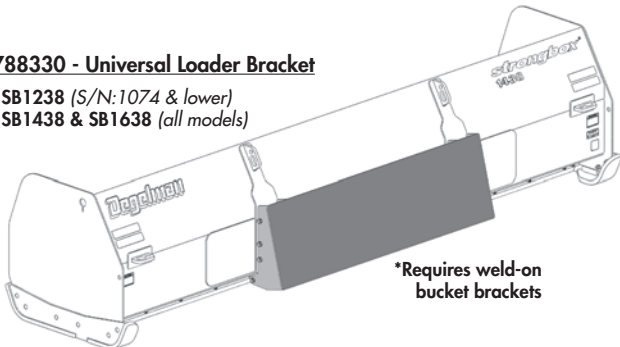


788445 - 3PT Hitch Bracket - CAT 3N



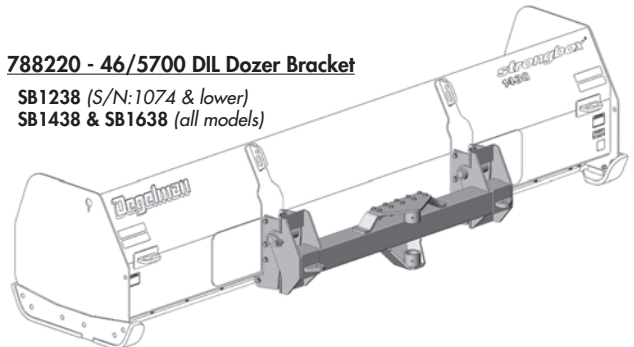
788330 - Universal Loader Bracket

SB1238 (S/N:1074 & lower)
SB1438 & SB1638 (all models)



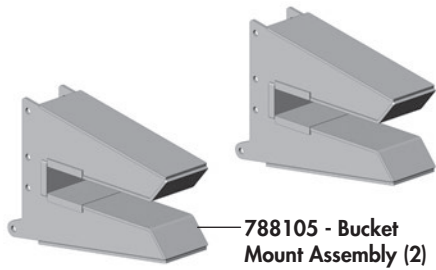
788220 - 46/5700 DIL Dozer Bracket

SB1238 (S/N:1074 & lower)
SB1438 & SB1638 (all models)



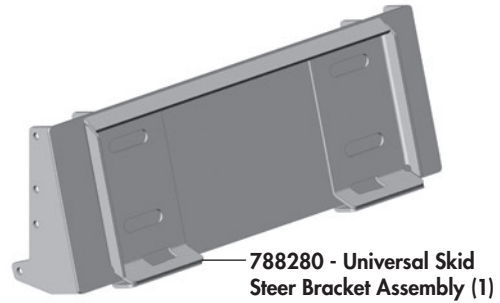
UNIVERSAL BUCKET MOUNT

788110 - Universal Bucket Mount Assembly



UNIVERSAL SKID STEER BRACKET

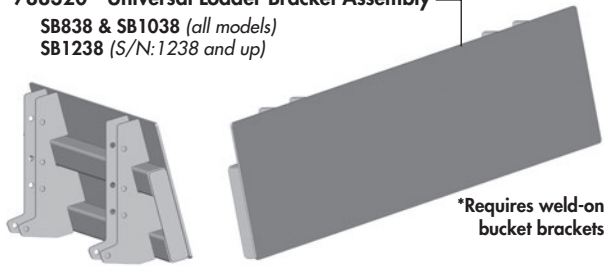
788280 - Universal Skid Steer Bracket Assembly



UNIVERSAL LOADER BRACKET

788320 - Universal Loader Bracket Assembly

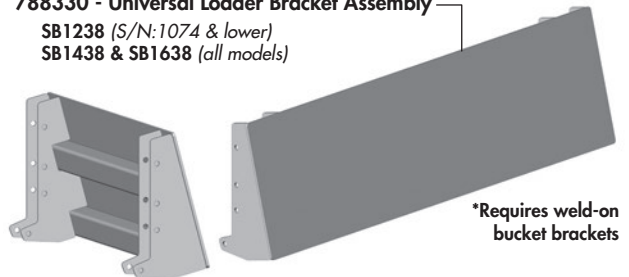
SB838 & SB1038 (all models)
SB1238 (S/N: 1238 and up)



UNIVERSAL LOADER BRACKET

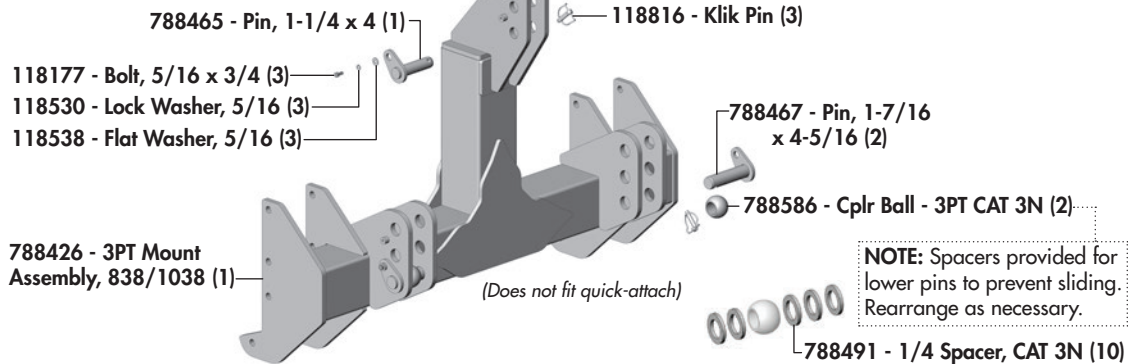
788330 - Universal Loader Bracket Assembly

SB1238 (S/N: 1074 & lower)
SB1438 & SB1638 (all models)



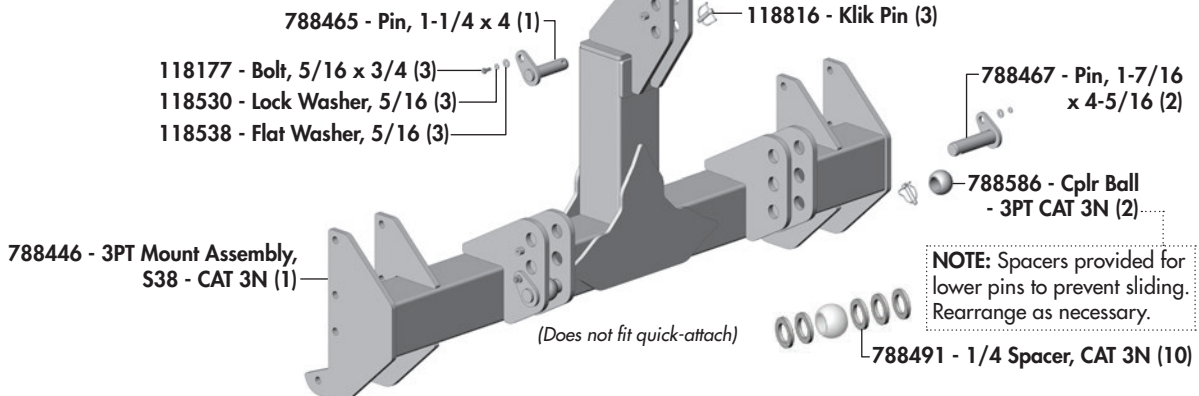
3PT HITCH BRACKET

788425 - 3PT Hitch Bracket (CAT 3N) Assembly



3PT HITCH BRACKET

788445 - 3PT Hitch Bracket (CAT 3N) Assembly

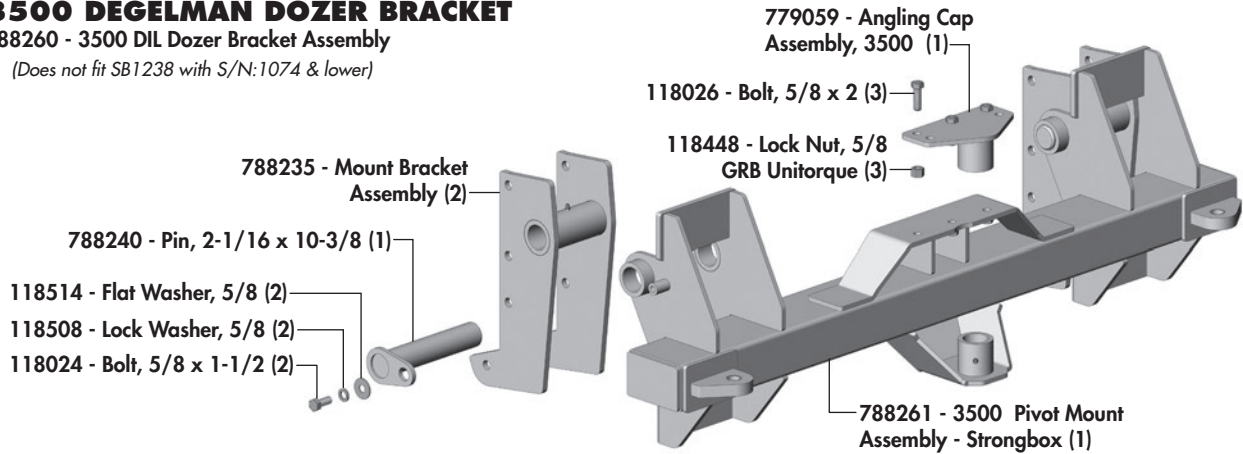


38 Series Mounts

3500 DEGELMAN DOZER BRACKET

788260 - 3500 DIL Dozer Bracket Assembly

(Does not fit SB1238 with S/N:1074 & lower)

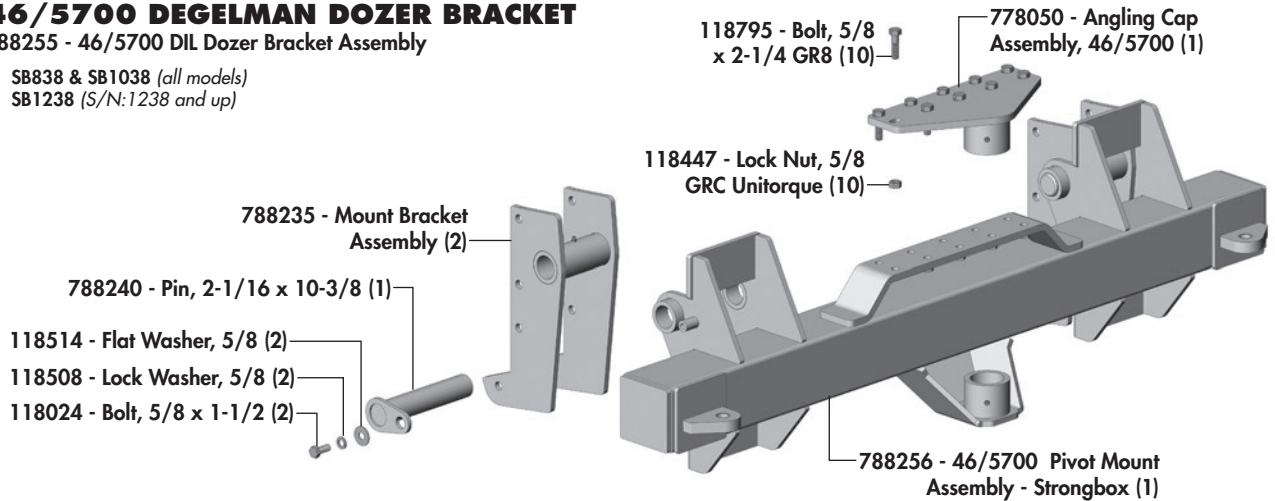


46/5700 DEGELMAN DOZER BRACKET

788255 - 46/5700 DIL Dozer Bracket Assembly

SB838 & SB1038 *(all models)*

SB1238 *(S/N:1238 and up)*

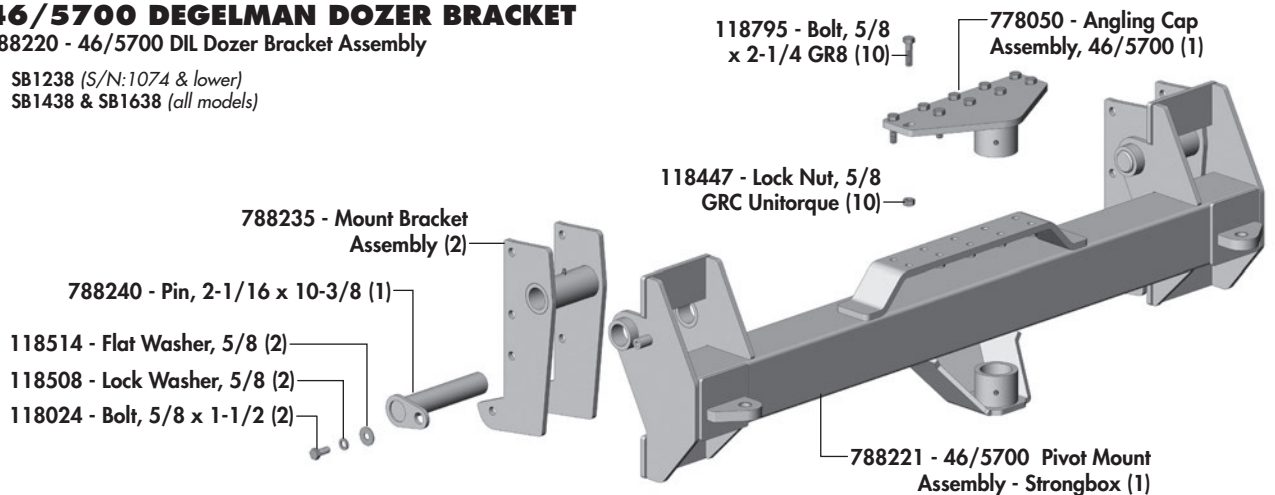


46/5700 DEGELMAN DOZER BRACKET

788220 - 46/5700 DIL Dozer Bracket Assembly

SB1238 *(S/N:1074 & lower)*

SB1438 & SB1638 *(all models)*



1650/1850/2050

50 Series Strongbox

- 788005 - 16 ft
- 788006 - 18 ft
- 788007 - 20 ft



50 SERIES BLADE COMPONENTS

Urethane Cutting Edge (option)

- 788275 (2) - 16 ft
- 788276 (2) - 18 ft
- 788277 (2) - 20 ft

Steel Cutting Edge (option)

- 116113 (2) - 16 ft
- 116111 (3) - 18 ft
- N/A - 20 ft

Rubber Cutting Edge

- 788119 (2) - 16 ft (shown)
- 788120 (2) - 18 ft
- 788121 (2) - 20 ft

Bolt Plate for Cutting Edge

- 788124 (2) - 16 ft (shown)
- 788125 (2) - 18 ft
- 788126 (2) - 20 ft

- 118034 - Bolt, 5/8 x 3-1/2
- 16ft (20) 18ft (22) 20ft (24)

- 118447 - Lock Nut, 5/8 GRC Unitorque
- 16ft (20) 18ft (22) 20ft (24)

- 118203 - Scraper Bolt, 5/8 x 2 (12)
- 118508 - Lock Washer, 5/8 (12)
- 118407 - Nut, 5/8 (12)

- 788290 - Wear Shoe, LH 50 SRS (1) (shown)
- 788291 - Wear Shoe, RH 50 SRS (1)

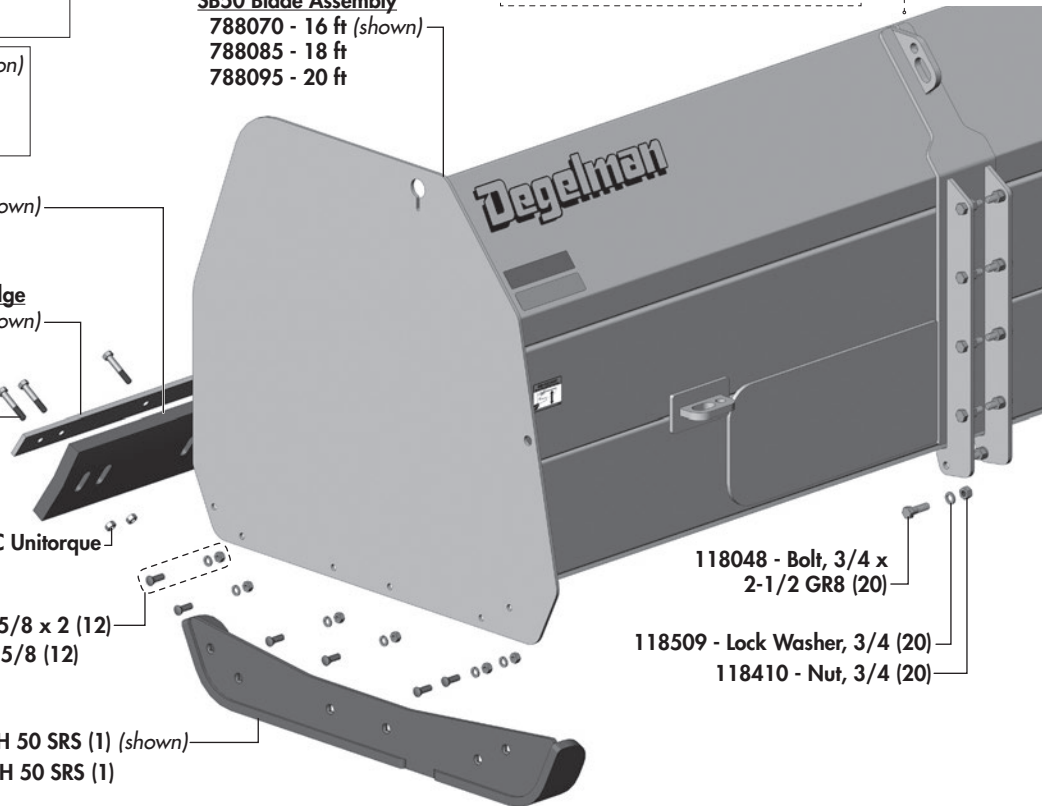
SB50 Blade Assembly

- 788070 - 16 ft (shown)
- 788085 - 18 ft
- 788095 - 20 ft

788135 - Loader Binder Kit (Optional)

comes with...

- 788138 - Load Binder Ratchet (1)
- 788137 - Grab Hook (4)
- 788136 - Chain, 60" (2)



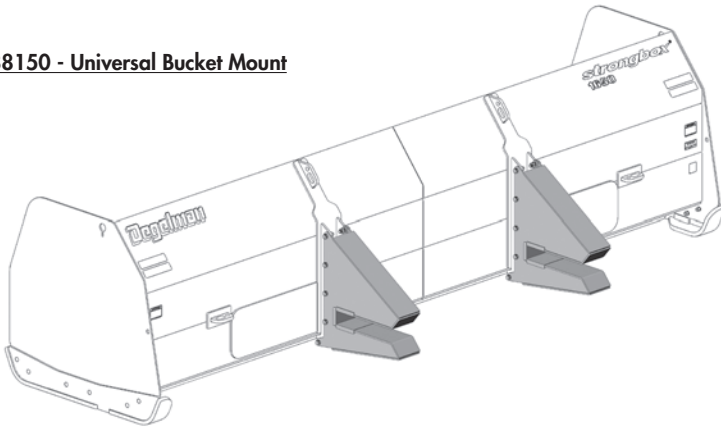
- 118048 - Bolt, 3/4 x 2-1/2 GR8 (20)

- 118509 - Lock Washer, 3/4 (20)
- 118410 - Nut, 3/4 (20)

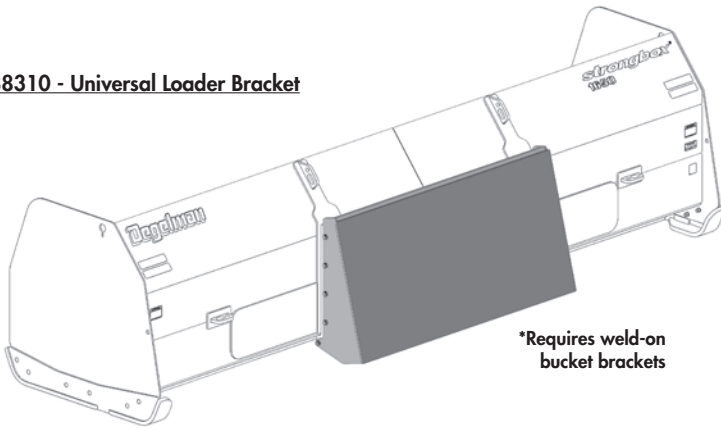
50 Series Mounting Options Overview

1650, 1850 & 2050 MOUNTING OPTIONS

788150 - Universal Bucket Mount

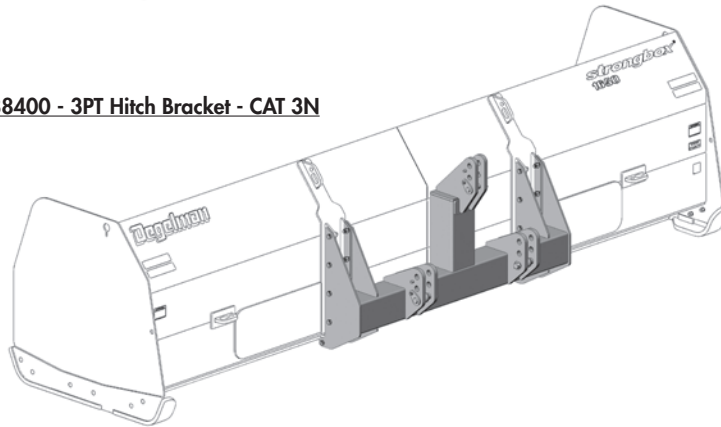


788310 - Universal Loader Bracket



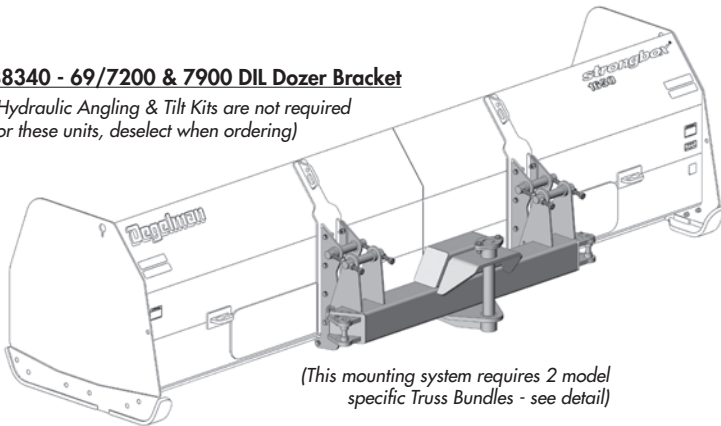
*Requires weld-on bucket brackets

788400 - 3PT Hitch Bracket - CAT 3N



788340 - 69/7200 & 7900 DIL Dozer Bracket

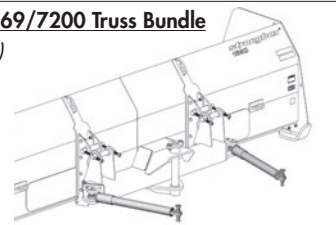
(Hydraulic Angling & Tilt Kits are not required for these units, deselect when ordering)



(This mounting system requires 2 model specific Truss Bundles - see detail)

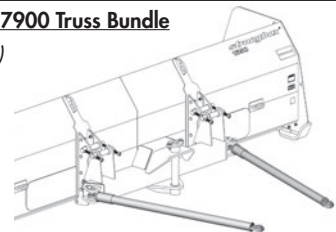
788375 - 69/7200 Truss Bundle

(2 Required)



788394 - 7900 Truss Bundle

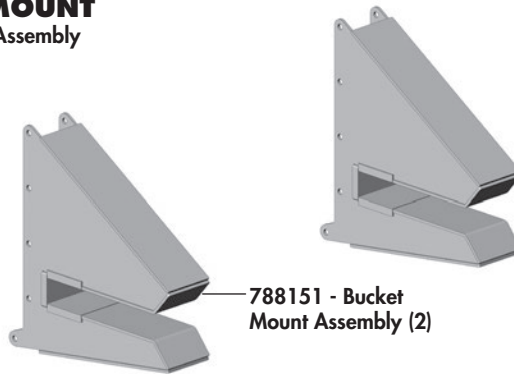
(2 Required)



50 SERIES

UNIVERSAL BUCKET MOUNT

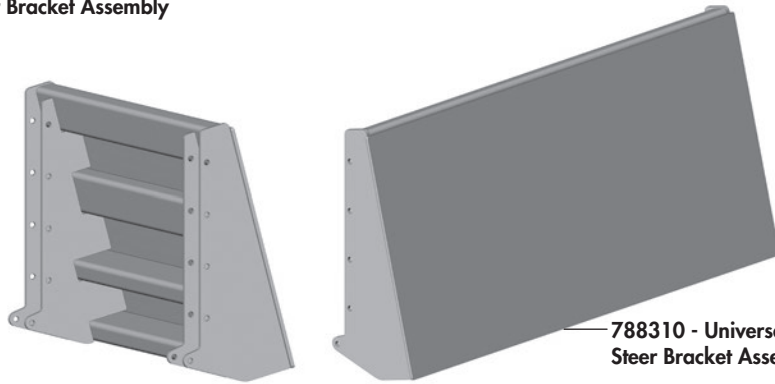
788150 - Universal Bucket Mount Assembly



788151 - Bucket Mount Assembly (2)

UNIVERSAL LOADER BRACKET

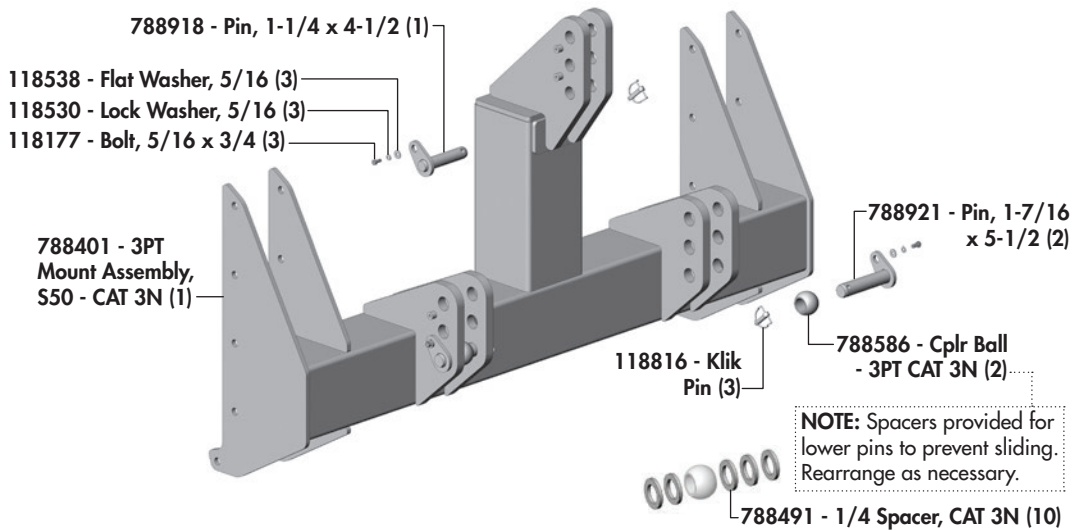
788310 - Universal Loader Bracket Assembly



788310 - Universal Skid Steer Bracket Assembly (1)

3PT HITCH BRACKET

788400 - 3PT Hitch Bracket (CAT 3N) Assembly



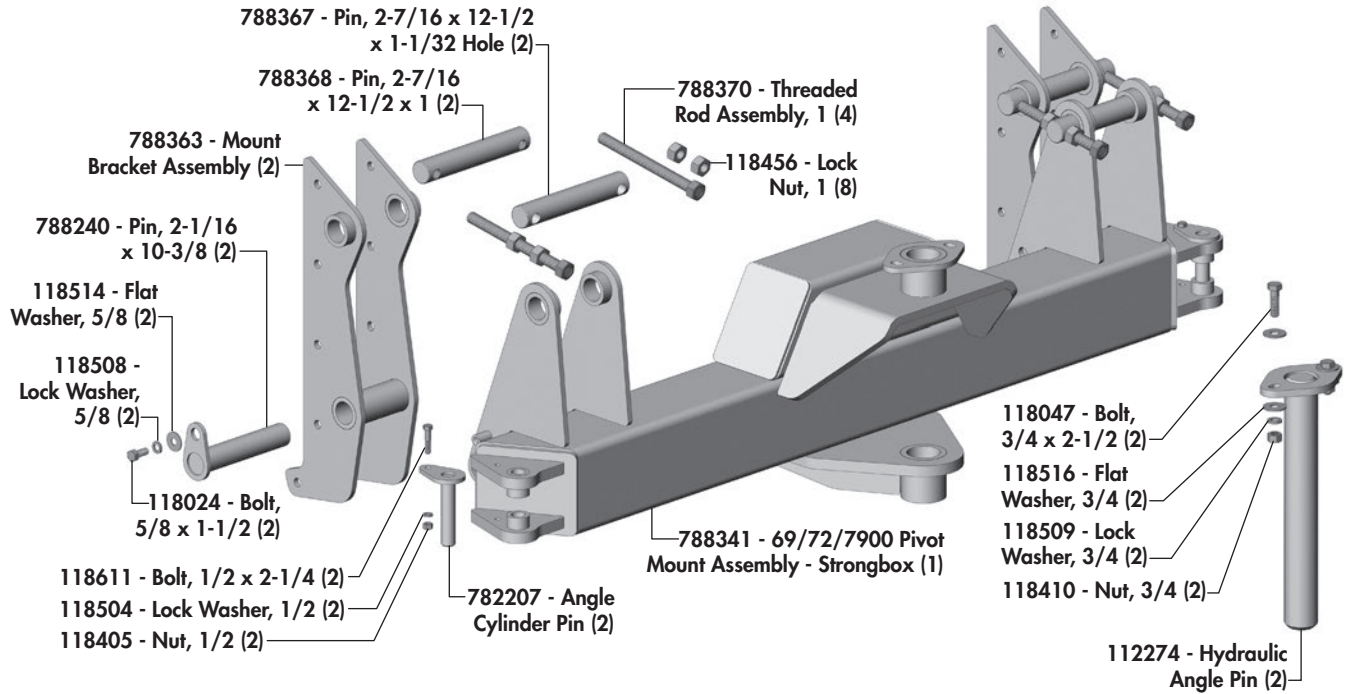
50 Series Mounts

69/7200 & 7900 DEGELMAN DOZER BRACKET

788340 - 69/7200 & 7900 DIL Dozer Bracket Assembly

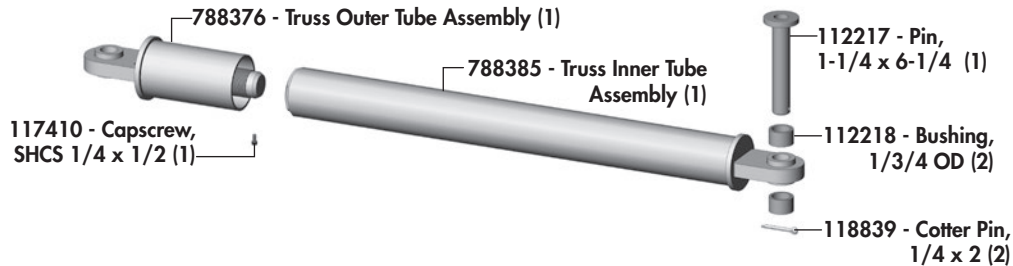
(Hydraulic Angling & Tilt Kits are not required for these units, deselect when ordering)

(This mounting system requires 2 model specific Truss Bundles - see options below)



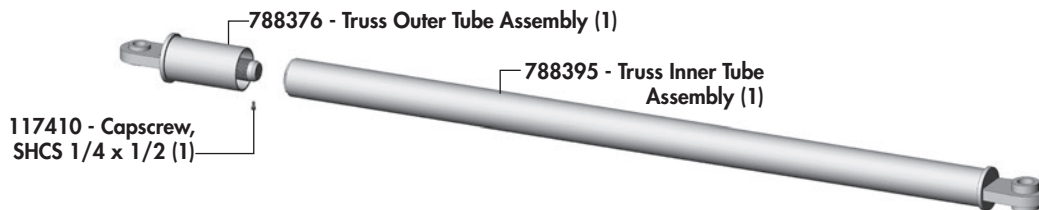
69/7200 DOZER TRUSS BUNDLE

788375 - 69/7200 Truss Bundle (2 required)



7900 DOZER TRUSS BUNDLE

788394 - 7900 Truss Bundle (2 required)



Warranty

2 Year Limited Warranty

Degelman Industries LP ("Degelman") warrants to the original purchaser of any new Degelman equipment, purchased from an authorized Degelman dealer, that the equipment will be free from defects in material and workmanship for a period of two (2) years from the date of delivery, for non-commercial use (including farm, institutional, government, and municipality) and (1) year from the date of delivery for commercial use. The obligation of Degelman to the purchaser under this warranty is limited to the repair or replacement of defective parts in the first year and to the provision, but not the installation of replacement parts in the second year. Degelman reserves the right to inspect any equipment or parts which are claimed to have been defective in material or workmanship.

This warranty limits its replacement or repair coverage to what is consistent with the warranty of Degelman's suppliers of purchased components. Replacement or repair parts installed in the equipment covered by this limited warranty are warranted for ninety (90) days from the date of delivery of such part or the expiration of the applicable new equipment warranty period, whichever ever occurs later. Warranted parts shall be provided at no cost to the user at an authorized Degelman dealer during regular working hours. Warranted replacement parts will either be replaced or rebuilt at Degelman's discretion.

Disclaimer of implied warranties & consequential damages

This warranty shall not be interpreted to render Degelman Industries LP liable for injury, death, property damage or damages of any kind, whether direct, consequential, or contingent to property. Without limiting the generality of the foregoing, Degelman shall not be liable for damages resulting from any cause beyond its reasonable control, including, without limitation, loss of crops, any expense or loss of labour, supplies, rental machinery or loss of use.

No other warranty of any kind whatsoever, express or implied is made with respect to this sale; and all implied warranties of merchantability and fitness for a particular purpose which exceed the obligations set forth in this written warranty are hereby disclaimed and excluded from this sale. This exclusion shall not apply in any jurisdiction where it is not permitted by law.

This limited warranty shall not apply:

1. If, in the sole opinion of Degelman, the unit has been subjected to misapplication, abuse, misuse, negligence, accident or incorrect installation.
2. To any goods that have sustained damage or deterioration attributable to a lack of routine maintenance (eg. Re-torque of mounting hardware.)
3. If parts not made or supplied by Degelman have been used in the connection with the unit, if, in the sole judgement of Degelman such use affects its performance, safety, stability or reliability.
4. If the unit has been altered or repaired outside of an authorized Degelman dealership in a manner which, in the sole judgement of Degelman, affects its performance, safety, stability or reliability.
5. To expendable or wear items such as cutting edges, skid shoes, and any other items that in the company's sole judgement is a wear item.

No employee or representative of Degelman Industries LP is authorized to change this limited warranty in any way or grant any other warranty unless such change is made in writing and signed by the Degelman Service Manager.

This limited warranty is subject to any future availability of supply, which may directly affect Degelman's ability to obtain materials or manufacture replacement parts.

Degelman reserves the right to make improvements in design or changes in specifications at any time, without incurring obligations to owners of equipment previously delivered.

This limited warranty is subject to compliance by the customer to the enclosed *Retail Customer's Responsibility Under Degelman Warranty*.

Make certain the warranty registration card has been forwarded to:

**Degelman Industries LP
Box 830
272 Industrial Dr.
Regina, SK, Canada
S4P 3B1**

